

REPAIR OF DAMAGES

In case of an emergency or damage, switch off the device and contact your reseller.
Do not attempt to repair the unit yourself, otherwise this will be considered as a breach of the warranty provisions.

GUARANTEE

The warranty for this product is 2 years on presentation of the corresponding receipt.

MAINTENANCE

When cleaning the product use a soft damp cloth only.
Never use soap-based detergents, abrasive cleaners or detergents containing ammonia and other acids for cleaning and maintenance.

DISPOSAL OF THE EQUIPMENT

This product must be disposed of pursuant to the valid legal provisions and separated from domestic waste. Please dispose of this product by bringing it to your local collection point or recycling centre of such equipment.

Recycling contributes to reducing CO² emissions and thus to the protection of the environment.



Reseller (name/address/date)

note : the guarantee is only valid when accompanied by the sales receipt.

FOURSTEEL[®]

[heating products factory]

User's Manual
MIMOO SWITCH
switch on off



This product was developed to provide a simple, secure and comfortable usage.
These instructions must be taken into account for the correct use of the product.

BEFORE THE INSTALLATION

Verify if you have the requested product.

The placement of this product should respect the minimum safety distance (see fig. 1).

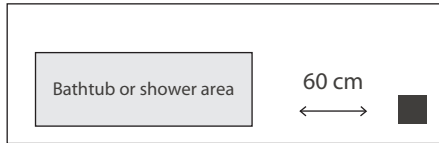


fig 1 : minimum safety distance

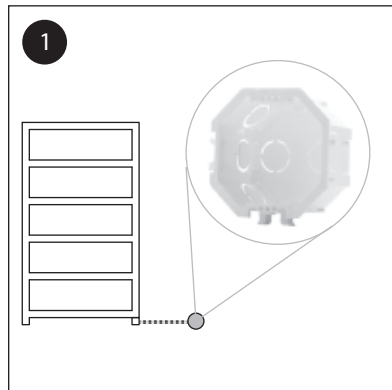
TECHNICAL CHARACTERISTICS

power supply – AC 220V, 50Hz

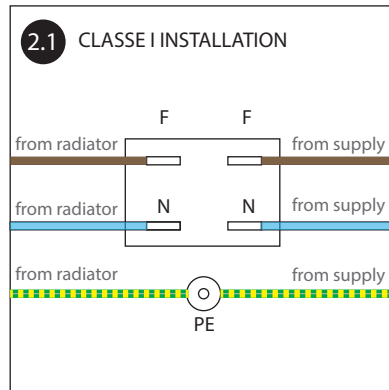
Ingress Protection Rating – IP 54

dimension - 80 x 80 x 5mm

INSTALLATION SCHEME

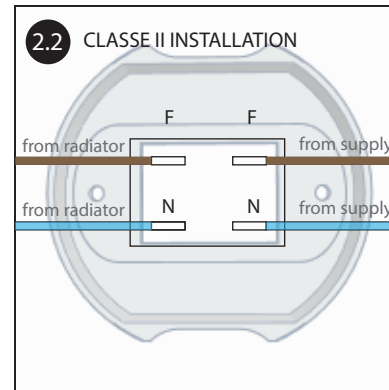


Make the hole in the wall to place the plastic box for the switch.



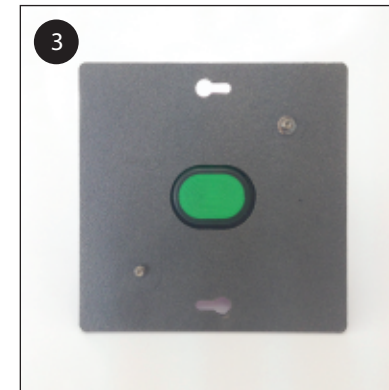
INSTALLATION CLASSE I :

Pass the cables from the radiator and the supply line. Place the electrical connectors on each cable to connect to the switch, according to the diagram above

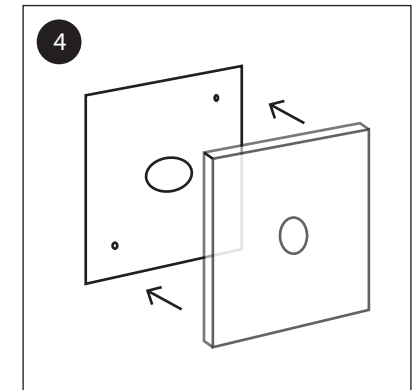


INSTALLATION CLASSE II :

Pass the cables from the radiator and the supply line. Place the electrical connectors on each cable to connect to the switch, according to the diagram above



Screw the inner fixing plate to the plastic box previously installed on the wall.



Align and support the outer cover with its magnet to the inner plate fixed to the wall.