

FOURSTEEL®

[heating products factory]

FOURSTEEL® - PRODUTOS EM INOX, LDA , AVEIRO , PORTUGAL
© Foursteel, Aveiro, 2020, all rights reserved

MIMOO SWITCH & MIMOO SWITCH ROUND INSTALLATION INSTRUCTIONS

This product was developed to provide a simple, secure and comfortable usage.
These instructions must be taken into account for the correct use of the equipment.

REPAIR OF DAMAGES

In case of an emergency or damage, switch off the device and contact your reseller. Do not attempt to repair the unit yourself, otherwise this will be considered as a breach of the warranty provisions.

GUARANTEE

The warranty for this product is 2 years on presentation of the corresponding invoice.

MAINTENANCE

When cleaning the radiator use a soft damp cloth only. Never use soap-based detergents, abrasive cleaners or detergents containing ammonia and other acids for cleaning and maintenance.

DISPOSAL OF THE EQUIPMENT

This product must be disposed of pursuant the valid legal provisions and separated from domestic waste. Please dispose of this product by bringing it to your local collection point or recycling centre of such equipment. Recycling contributes to reducing CO² emissions and thus to the protection of the environment.



CONTACTS

www.foursteel.eu
geral@foursteel.eu
T. +351 234 111967 | +351 234 107263

Foursteel - Heating Products Factory
C.E.A. Zona Industrial de Mamodeiro
3810 - 783 Aveiro
Portugal

BEFORE THE INSTALLATION

Verify if you have the requested product.

The placement of this product should respect the minimum safety distance (see fig. 1).

The installation must be carried out by a specialized technician.

The Mimoo Switch must be installed in the same room as the radiator / towel warmer.

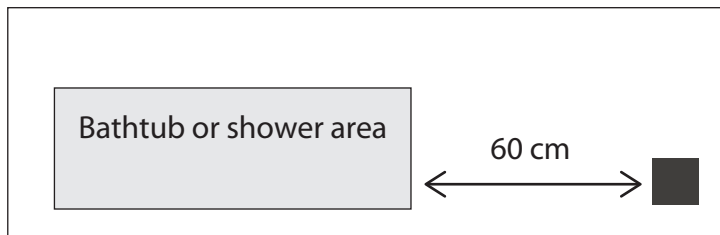


fig 1 : minimum safety distance

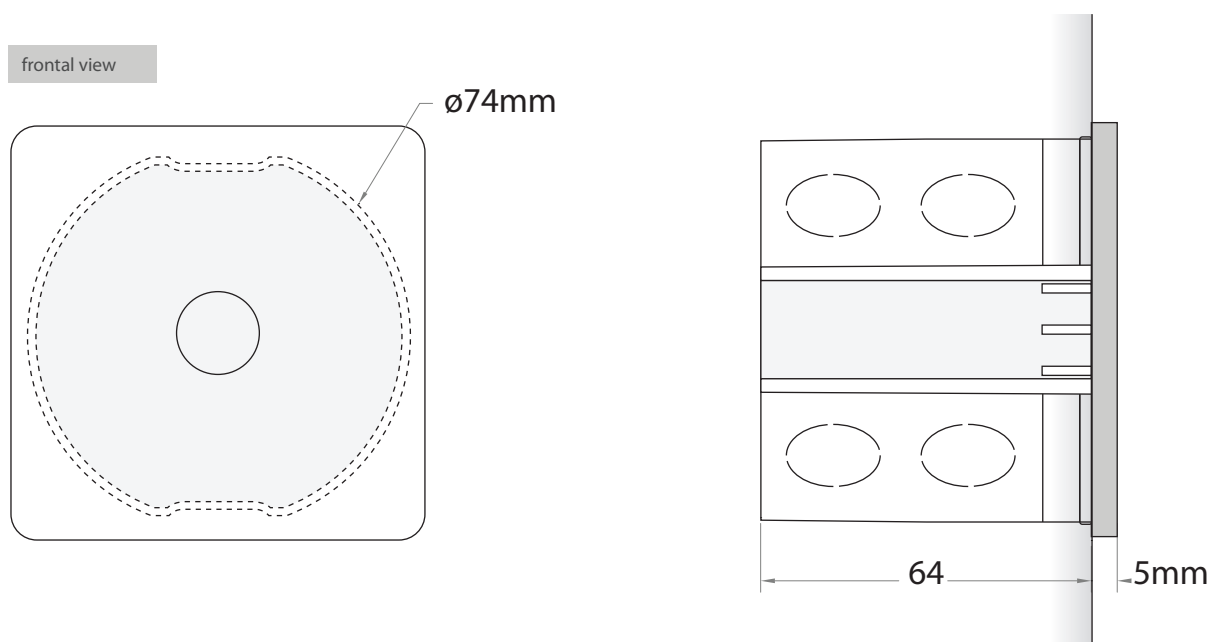
TECHNICAL CHARACTERISTICS

SWITCH ON OFF

power supply – AC 240V / 120V - 16A

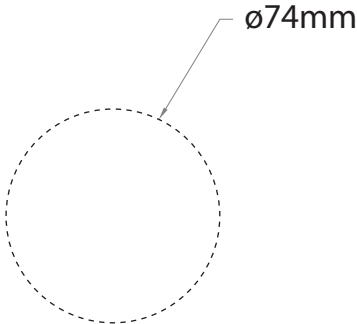
Ingress Protection Rating – IP 54

TECHNICAL DRAWING



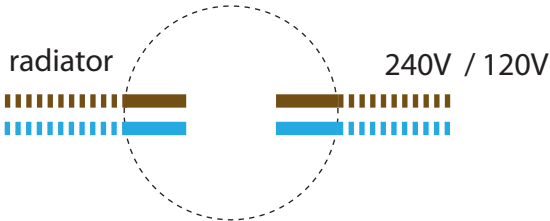
INSTALLATION SCHEME

1



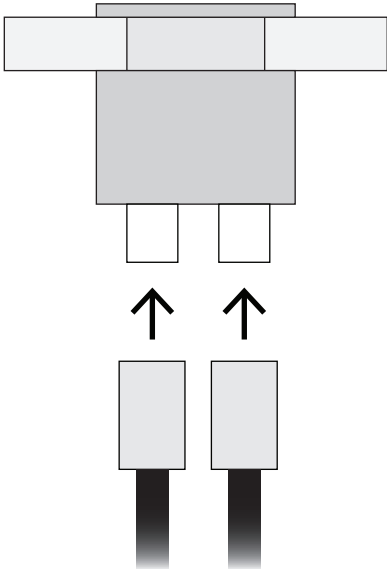
Make the hole in the wall to place the plastic box for the switch.

2

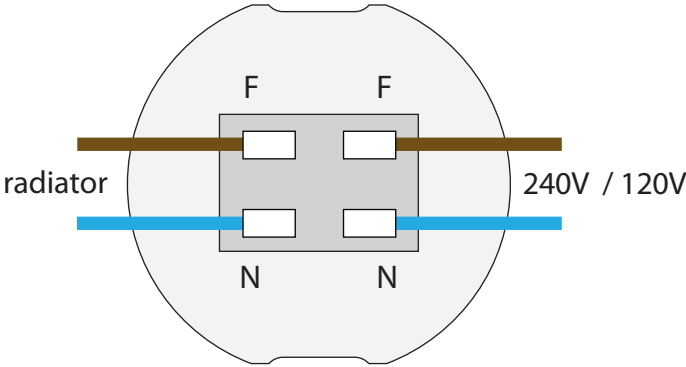


Pass the cables from the radiator and the supply line.

3

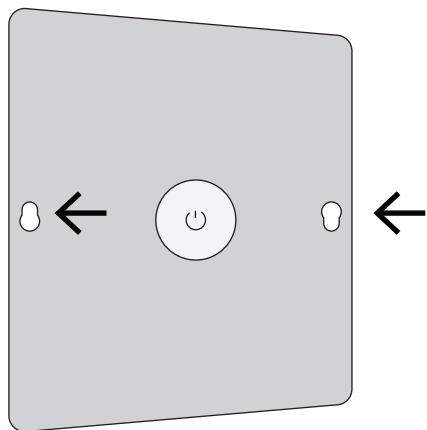


Place the electrical connectors on each cable to connect to the switch, according to the diagram above



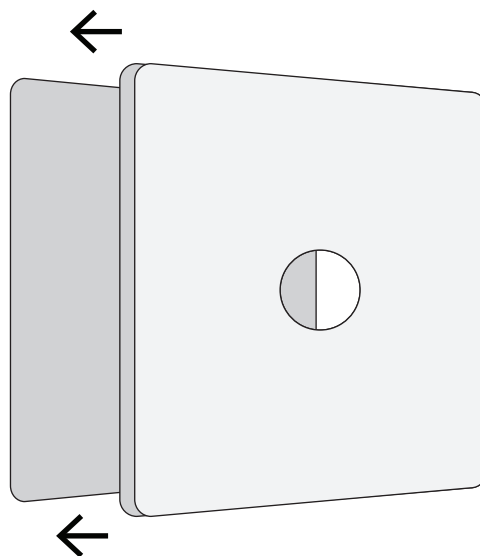
INSTALLATION SCHEME

4



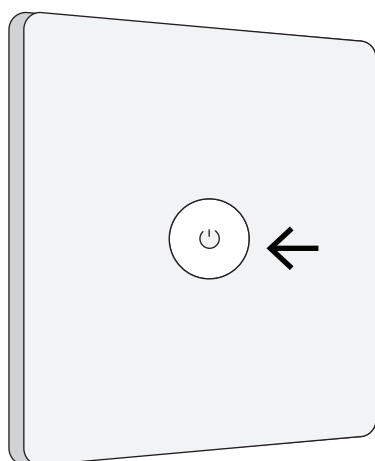
Screw the inner fixing plate to the plastic box previously installed on the wall.

5



Align and support the outer cover with its magnet to the inner plate fixed to the wall.

6



To activate the Mimoo Switch, press the On/Off button. The button will go inside and an LED will light up. To turn off, press the button again and it will return to the original position.